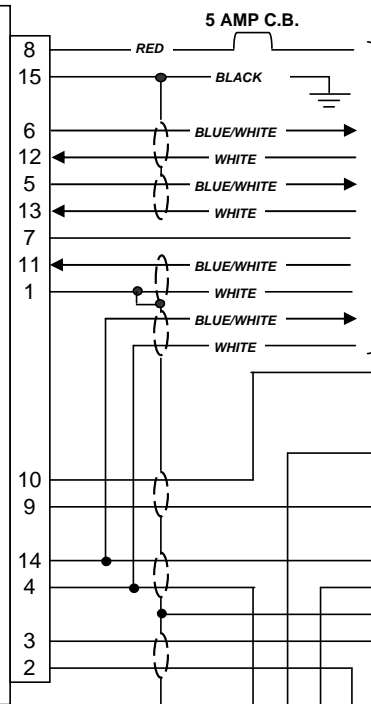


MGL-V10 / COM 1

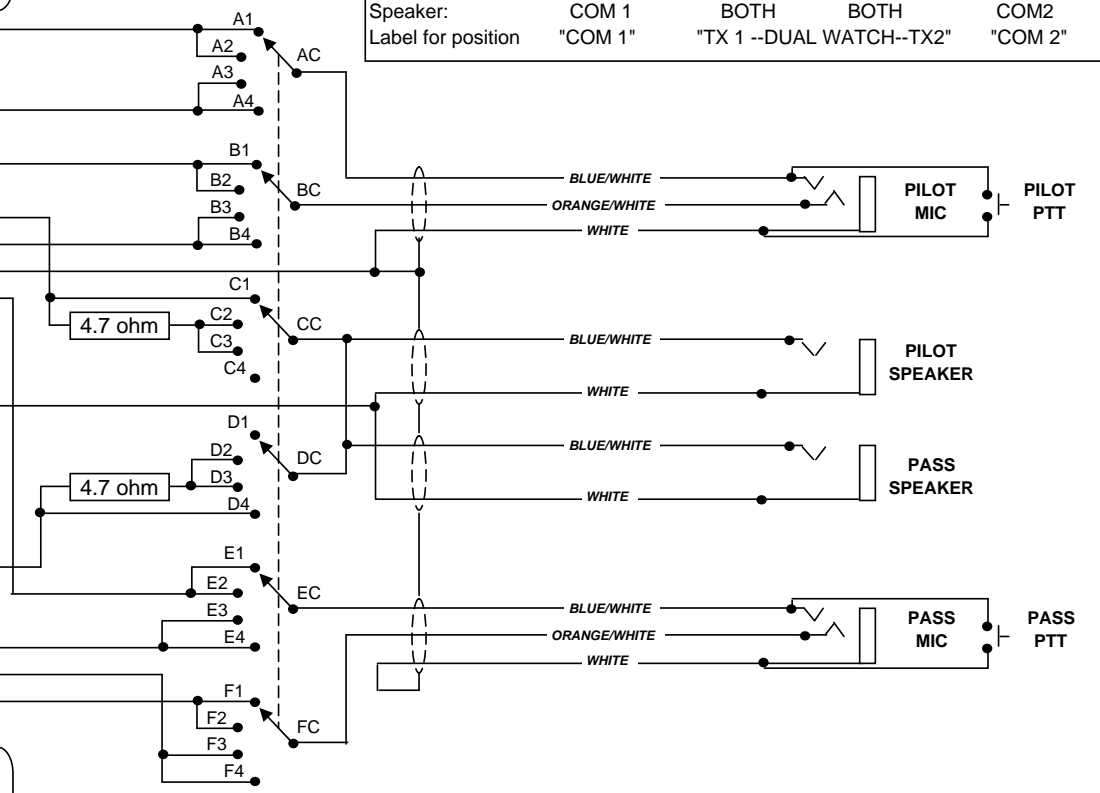
- 10-28VDC (5 AMP)
- AIRFRAME GROUND
- RS232 TX #1
- RS232 RX #1
- RS232 TX #2
- RS232 RX #2
- AIRTALK LAN
- AUX AUDIO INPUT
- AUDIO GROUND
- AUX AUDIO OUT HI
- AUX AUDIO OUT LO
- PILOT MIC PTT
- PILOT MIC HI
- PHONE HI
- AUDIO GROUND
- PASS MIC PTT
- PASS MIC HI



ALL PIGTAILS WILL BE LABELED AS TO WHAT SIGNAL THEY REPRESENT. ALL PIGTAILS WILL BE A LENGTH OF 48" UNLESS OTHERWISE REQUESTED

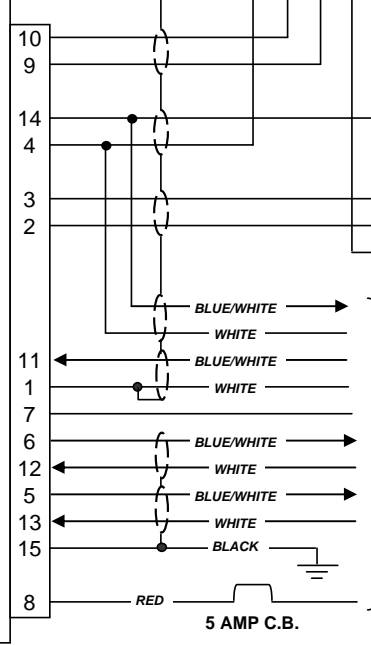
6 POLE 4 POSITION ROTARY SWITCH

Switch Position:	POSITION 1	POSITION 2	POSITION 3	POSITION 4
PTT and MIC:	COM 1	COM1	COM2	COM2
Speaker:	COM 1	BOTH	BOTH	COM2
Label for position	"COM 1"	"TX 1 --DUAL WATCH--TX2"	"COM 2"	



MGL-V10 / COM 2

- PILOT MIC PTT
- PILOT MIC HI
- PHONE HI
- AUDIO GROUND
- PASS MIC PTT
- PASS MIC HI
- AUX AUDIO OUT HI
- AUX AUDIO OUT LO
- AUX AUDIO INPUT
- AUDIO GROUND
- AIRTALK LAN
- RS232 TX #1
- RS232 RX #1
- RS232 TX #2
- RS232 RX #2
- AIRFRAME GROUND
- 10-28VDC (5 AMP)



ALL PIGTAILS WILL BE LABELED AS TO WHAT SIGNAL THEY REPRESENT. ALL PIGTAILS WILL BE A LENGTH OF 48" UNLESS OTHERWISE REQUESTED

APPROACH FAST STACK
DUAL MGL V10 COMM INTERFACE CABLE
PART #7120-0510-DUAL
DATE: 14-May 2010
ENGINEERED BY: DENNIS MOORE
APPROVED BY: Tim Hass