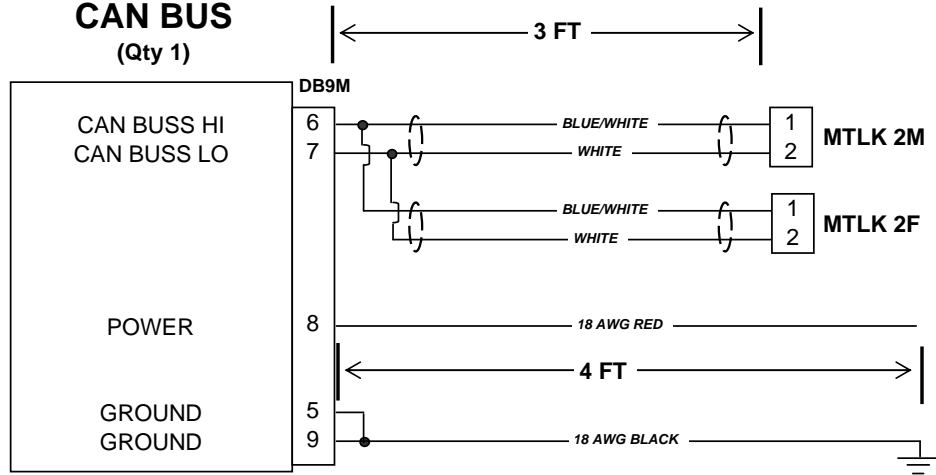


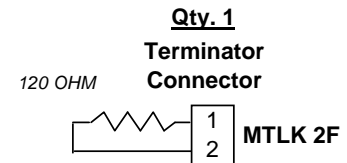
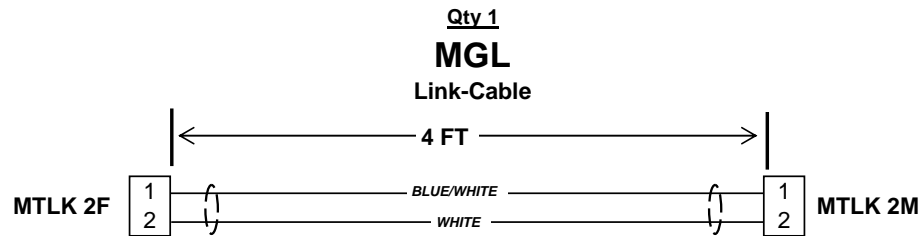
Backshell - Silver
 CAN BUS Wire size - 22 awg
 Power/Ground Wire size - 18 awg

RDAC XF CAN BUS HARNESS

**MGL
 RDAC
 CAN BUS**
 (Qty 1)



**GROUND DIRECTLY
 TO ENGINE BLOCK**



APPROACH FAST STACK

MGL RDAC XF CAN BUS
PART # 7120-0009
DATE: 25-June, 2012
ENGINEERED BY: TIM HASS
APPROVED BY: Matt Liknaitzky